

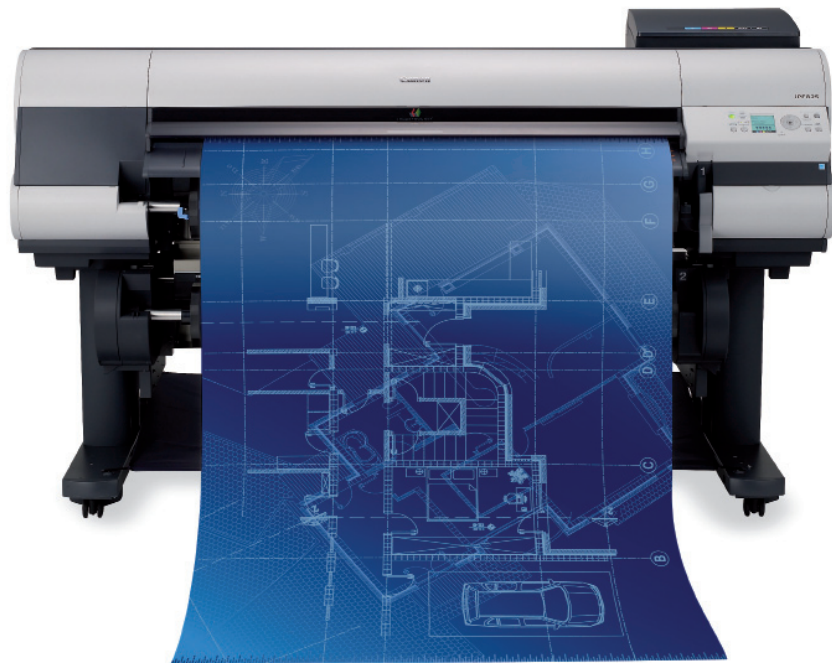
# Large Format Print Solutions ideal for CAD & GIS

iPF815 / iPF825

**you can**

The **imagePROGRAF iPF815 and iPF825** are 44" printers, delivering class leading productivity, exceptional quality, accuracy and an advanced set of features to ensure an excellent return on investment.

iPF815 / iPF825
<b>44</b> INCH
2,400 X 1,200DPI
5 COLOURS
A0 45 SECONDS
A1 24 SECONDS
15,360 NOZZLES
160GB HDD
ECONOMY PRINTING MODE
BORDERLESS PRINTING



## Key Features

- Manage costs and track ROI – Full accounting software included.
- User Friendly – Simple roll paper loading system and control the printer from the front.
- Maximise productivity – “Hot Swap” ink tanks, changeable during production.
- Dual roll to handle large print runs with different types and sizes of media (iPF825).
- Highly accurate with 0.02mm minimum line width and +/-0.1% line accuracy.
- Integrate with your office applications with Microsoft Office Plug-in.
- Continuous productivity with high capacity 330ml and 700ml “hot swap” ink tanks – replaceable during production.
- HP-GL/2 and HP-RTL Compatible: - Capable of handling large vector files. - HP-GL/2 palette and pen settings. - HP-GL/2 and HP-RTL nesting. - HP-GL/2 and HP-RTL auto-rotation.

 **ImagePROGRAF**

**Canon**

# Specifications: iPF815 / iPF825

Class Ink Type Maximum Print Resolution Printing Speed (A0 Roll) Plain Paper Coated Paper	44-inch Dye and pigment reactive ink: BK, MBK, C, M, Y 2400 x 1200 dpi  0.45 (Draft Mode), 1.16 (Standard Mode) 1.16 (Draft Mode), 2.29 (Standard Mode), 3.38 (High Quality Mode)
Dimensions, Weight (Net) W x D x H (mm), (Kg)	<b>iPF815</b> Main unit with printer stand and standard basket 1,893 (W) x 975 (D) x 1,144 (H) mm Weight: approx. 138 kg (incl.: Roll Holder Set; excl.: ink and print head) <b>iPF825</b> Main unit with printer stand, lower roll, and high capacity basket 1,893 (W) x 1,291 (D) x 1,144 (H) mm, Weight: approx. 189 kg (incl.: Roll Holder Set; excl.: ink and print head)
Dimensions, Weight (Packaged) Main unit with pallet W x D x H mm, Kg Printer stand Lower roll unit, a portable basket (pallet included)	2,080 (W) x 1,060 (D) x 867 (H) mm, Weight: approx. 166 kg  1,782 (W) x 863 (D) x 368 (H) mm, Weight: approx. 40 kg <b>iPF815</b> N/A <b>iPF825</b> 1,660 (W) x 938 (D) x 905 (H) mm, Weight: approx. 102 kg
Power Supply - Input power Power consumption Standby power consumption 100 V - 120V (At the low power mode) 220 V - 240 V Power off (standby)	AC 100 - 240 V 50/60Hz Operation: 190 W or less  5.0 W or less  6.0 W or less 1 W or less (In compliance with Executive Order of the President of the United States of America.)
Operational Environment Acoustic Noise Acoustic pressure  Acoustic power  Minimal Line Width Line Accuracy  Operation Panel - Display Language on operation panel Languages  Printer language	Temperature: 15 - 30°C, Humidity: 10 - 80 % (Condensation free)  Operation: 52 dB (A) or less, Standby: 35 dB (A) or less *Measured based on ISO 7779 Operation: 6.8 Bels or less *Measurement conditions: plain paper, standard mode, normal temperature and normal humidity 0.02mm (Theoretical value) ±0.1 % or less (User adjustments necessary, Printing environment media must match that used for the adjustments. CAD paper required: Plain paper, CAD tracing paper, coated paper, CAD translucent matte film only.) Large LCD: 160 x 128 dots, LED x 5, Key x 12 US-English and Japanese US-English, French, German, Italian, Spanish, Chinese (simplified), Korean, Russian, Japanese (Kanji) GARO (Graphic Arts language with Raster Operations), HP-GL/2, HP RTL
<b>INTERFACE</b> Hi-Speed USB Type Mode Connector type Ethernet Type Standard  Protocol	Built-in Full Speed (12 Mbit/sec), High Speed (480 Mbit/sec), Bulk transfer Series B (4 pins)  Built-in IEEE 802.3 10base-T, IEEE 802.3u 100base-TX / Auto-Negotiation IEEE 802.3x Full Duplex IPX/SPX (Netware 4.2 (J)), 5.1 (J), 6.0 (J)) SNMP (Canon-MIB), HTTP, TCP/IP, AppleTalk
<b>OPERATING SYSTEM</b> Windows Ver.4.41(64) / Ver.4.41(32)  Macintosh Ve2.40 Memory - Standard memory HDD	XP(64)*, srv2003(64)*, Vista(64)*, srv2008(64)*, Win7(64)*, 2000(32), XP(32), srv2003(32), Vista(32), Win7(32) Yes*: supported with x64 driver OS10.3.9.x-10.6X 32 GB (Physical DRAM: 384 MB) 160GB
<b>PRINT HEAD</b> Model Type Head configuration Nozzle pitch Nozzle per chip Droplet size Head replacement Ink Tank Model	PF-03 Bubble-jet on demand 6 colors integrated type (6 chips per print head x 1 print head) 1200 dpi x 2 MBK: 5, 120 nozzles, each other color: 2, 560 nozzles 4 pl per color User replacement  PFI-303: BK, MBK, C, M, Y (330 ml) PFI-703: BK, MBK, C, M, Y (700 ml)

<b>MEDIA HANDLING</b> Media Feed and Output Roll paper	<b>iPF815</b> 1 roll (Front-loading, Front Output) <b>iPF825</b> 2 rolls (Front-loading, Front Output) Front-loading, Front Output (Manual feed using media locking lever)
Cut sheet	
Media type Roll Paper	Standard Paper 80gsm, Standard Paper 90gsm Matt Coated Paper 90gsm Glossy Photo Quality Paper 190gsm / 240gsm / 300gsm Satin Photo Quality Paper 190gsm / 240gsm / 300gsm Pearl Photo Paper 260gsm Matt Coated Paper 120gsm / 140gsm / 180gsm Opaque White Paper 120gsm High Resolution Self-adhesive Graphic Paper 140gsm High Resolution Barrier Paper 180gsm Glossy Proofing Paper 195gsm Semi-Glossy Proofing Paper 195gsm / 255gsm
Media Size Roll paper (width)	ISO - A3, A2, A1, A0 / JIS - B2, B1, B0 ARCH - 24", 30", 36" / Others - 10", 14", 16", 17", 42", 44" ISO - A4, A3, A3+, A2, A2+, A1, A0, B4, B3, B2, B1, B0 DIN - C4, C3, C2, C1, C0 / JIS B4, B3, B2, B1, B0 ANSI - 8.5 x 11", 8.5 x 14", 11 x 17", 13 x 19", 17 x 22", 22 x 34", 28 x 40", 34 x 44" ARCH - 9 x 12", 12 x 18", 18 x 24", 24 x 36", 26 x 38", 27 x 39", 30 x 42", 36 x 48" Photo - 20 x 24", 18 x 22", 14 x 17", 12 x 16", 10 x 12", 10 x 15", 8 x 10", 16 x 20" (US Photo size) Poster - 20 x 30", 30 x 40", 42 x 60", 44 x 62", 300 x 900 mm Others - 13 x 22"
Cut sheet	
Media Thickness Roll paper, Cut sheet	0.07 - 0.8 mm
Maximum Outside Diameter of Roll Paper	150.0 mm
Media Core Size	Internal diameter of roll core: 2" / 3"
Media Width Roll paper Cut sheet	254 - 1,118 mm 203 - 1,118 mm
Minimal Printable Paper Length	203 mm
Maximum Printable Paper Length	Roll paper 18 m (Varies according to the OS and application) Cut sheet 1.6 m
Margins Recommended area	Roll paper Top: 20 mm, Bottom: 5 mm, Side: 5 mm Cut sheet Top: 20 mm, Bottom: 23 mm, Side: 5 mm
Printable area	Roll paper Top: 3 mm, Bottom: 3 mm, Side: 3 mm Roll paper (borderless) Top: 0 mm, Bottom: 0 mm, Side: 0 mm Cut sheet Top: 3 mm, Bottom: 23 mm, Side: 3 mm
Borderless Printing Media Width	515mm (JIS B2), 1,030 mm (JIS B0), 594mm (ISO A1), 841mm (ISO A0), 10", 14", 17", 24", 36", 42"
Media Take-Up Unit	<b>iPF815</b> TU-06 (The same as that for iPF8100 / iPF8000S) <b>iPF825</b> N/A <b>iPF815</b> BU-03 <b>iPF825</b> N/A
Portable Media Basket	
Roll Holder Set (2-inch core roll holder with 3-inch paper tube attachment and borderless print spacer)	RH2-44
Ink Tank	PFI-303: BK, MBK, C, M, Y (330 ml) PFI-703: BK, MBK, C, M, Y (700 ml)
Print Head	PF-03
Maintenance Cartridge	MC-09
Some images are simulated for clarity of reproduction. All data is based on Canon's standard testing methods. This leaflet and the specifications of the product have been developed prior to the date of product launch. Final are subject to change without notice.™ and ©: All company and/or product names are trademarks and/or registered trademarks of their respective manufacturers in their markets and/or countries.  Canon recommends you use Canon Media for the best results. Please check media (paper) compatibility list to see which variety of paper/media is recommended.	



Canon Inc.  
canon.com

Canon Europe  
canon-europe.com

English Edition  
© Canon Europa N.V., 2010

Canon (UK) Ltd  
Woodhatch  
Reigate, Surrey  
RH2 8BF UK

Tel: 01737 220000  
Fax: 01737 220022  
www.canon.co.uk

Canon Ireland  
Arena Road, Sandyford  
Industrial Estate  
Dublin 18, Ireland

Tel: 01 2052400  
Fax: 01 2958141  
www.canon.ie